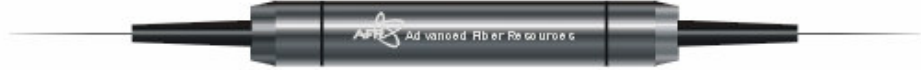




# Polarization Insensitive Isolator, 3W (PSSI & PDSI Series)

The Polarization Insensitive Isolator is designed and manufactured to Telcordial standard. The unique manufacturing process and optical path epoxy-free design enhance the device high power handling capability. The device is characterized with high performance, high reliability and low cost. It has been widely used in EDFAs, Raman amplifiers, DWDM systems, Fiber Lasers, transmitters and other fiberoptic communication equipments to suppress back reflection and back scattering.



## Specifications

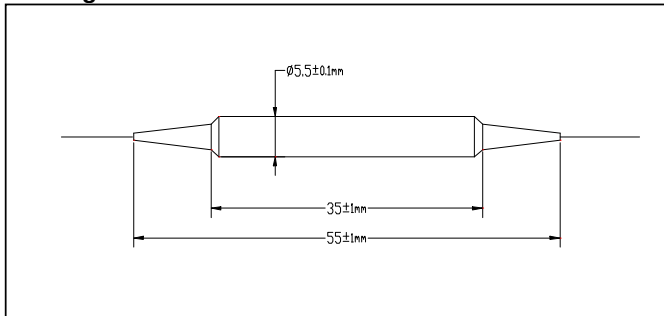
Parameters	Unit	Single Stage		Dual Stage	
		Grade P	Grade A	Grade P	Grade A
Center Wavelength ( $\lambda_c$ )	nm		1310, 1480 or 1550		
Typ. Peak Isolation	dB	42	40	58	55
Min. Isolation at 23°C; $\lambda_c \pm 15$ nm, all polarization states	dB	32	30	46	45
Typ. Insertion Loss at 23°C; $\lambda_c \pm 20$ nm, all polarization states	dB	0,3	0,4	0,4	0,6
Max. Insertion Loss at -5°C-70°C; $\lambda_c \pm 20$ nm, all polarization states	dB	0,5	0,7	0,55	0,9
Min. Return Loss (input/output)	dB	60 / 55	60 / 55	60 / 55	60 / 55
Max.PDL at 23°C	dB	0,05	0,1	0,05	0,15
Max.PMD <sup>1</sup>	ps	0,2	0,25	0,05	0,07
Max. Optical Power	W			3	
Max. Tensile Load	N			5	
Fiber Type				Corning SMF-28	
Operation Temperature	°C			-5 to +70	
Storage Temperature	°C			-40 to +85	

<sup>1</sup> Low PMD version is available. PMD<0.05ps

\*Above specification are for device without connector.

\*For devices with connectors, insertion loss will be 0.3dB higher, RL will be 5dB lower.

## Package Dimensions



## Ordering Information

**Single Stage : PSSI-①①-②-③-④-⑤-⑥**

**Dual Stage : PDSI-①①-②-③-④-⑤-⑥**

①① : Wavelength

31 - 1310nm

48 - 1480nm

55 - 1550nm

② : Grade

P - Premium grade

A - A grade

③ : PMD

1 - 0.05ps max.

2 - Refer to above spec.

④ : Connector Type

1 - FC/UPC

2 - ST/UPC

3 - LC/UPC

4 - FC/APC

5 - SC/APC

6 - SC/UPC

N - None

S - Specify

⑥ : Fiber Length

1 - 1.0 m

S - Specify

⑤ : Fiber Type

B - 250 um bare fiber

L - 900 um loose tube

T - 900 um tight buffer fiber

C - 3mm cable