



## 1064nm High Power Polarization Maintaining Isolator (HPMI Series)

The 1064nm High Power Polarization Maintaining Isolator is characterized with low insertion loss, high isolation, high power handling, high return loss, high extinction ratio and excellent environmental stability and reliability. It is ideal for polarization maintaining Fiber Amplifier, Fiber Laser, and instrumentation applications.

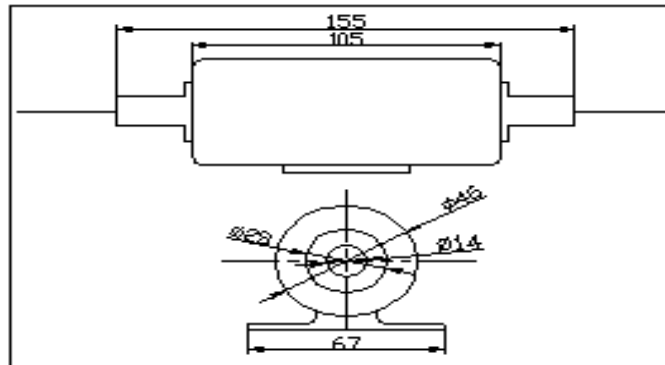
### Specifications

Parameters	Unit	Grade P	Grade A
Center Wavelength ( $\lambda_c$ )	nm	1064nm or specify	
Min. Extinction Ratio	dB	20	18
Typ. Peak Isolation	dB	35	30
Min. Isolation at 23°C; $\lambda_c$ all polarization states	dB	30	28
Max. Insertion Loss at 23°C	dB	1.8	2
Min. Return Loss (input/output)	dB	45/45	40/40
Max. Optical Power (CW)	W	3	
Max. Tensile Load	N	5	
Fiber Type		PM 980 Panda Fiber	
Operating Temperature	°C	0 to +60	
Storage Temperature	°C	-20 to +75	

\*Above specifications are for device without connector.

\*For devices with connectors, IL will be 0.3dB higher, RL will be 5dB lower, ER will be 2dB lower, and Optical Power will be 2W lower.

### Package Dimensions



### Ordering Information

**HPMI-06-①①-②-③-④-⑤**

①①: Wavelength

06 - 1064nm

SS - Specify

③: Connector Type

1 - FC/UPC

2 - FC/APC

3 - SC/UPC

4 - SC/APC

N - None

S - Specify

⑤: Fiber Length

Q - 0.75 m

S - Specify

②: Grade

P - Premium grade

A - A grade

④: Fiber Type

L - 900um loose tube Panda Fiber

C - 3mm loose cable Panda Fiber

S - Specify

Remark: The PM fiber and the connector key are aligned to the slow axis