



1064nm Fiber Collimator (C Series)

The 1064nm Fiber Collimator is the basic element for in-line fiber optics components, such as isolator and DWDM. It has low insertion and high return loss. The unique processing and high quality AR coating also enable this collimator to handle high power.



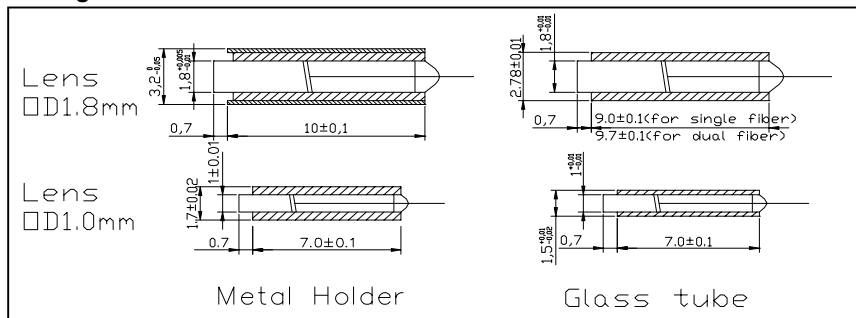
Specifications

Parameters	Unit	Values
Center Wavelength	nm	1064
Operating Wavelength Range	nm	±30
Working Distance	mm	5 or Specify
Typ. Insertion Loss @ 5mm	dB	0.25
Max. Insertion Loss @ 5mm	dB	0.3
Min.Return Loss	dB	60
Max.PDL	dB	0.02
Tensile Load	N	5
Fiber Type		HI 1060 Fiber
Operating Temperature	°C	-5 to +70
Storage Temperature	°C	-40 to +85

Above specifications are for device without connector.

*For devices with connectors, IL will be 0.3dB higher, RL will be 5dB lower.

Package Dimensions



Ordering Information

C-①-②-③-④-⑤-⑥-⑦-⑧-⑨

①: Lens Diameter

- 1 - 1.8mm
- 2 - 1.0mm(for single fiber only)
- S - Specify

②: Pigtail Type

- 1 - Single fiber pigtail
- 2 - Dual fiber pigtail (for 1.8mm only)
- S - Specify

③: Wavelength

- 06 - 1064 nm
- SS- Specify

④: Package Dimensions

- 1 - Metal holder
- 2 - Glass tube

⑤: Working Distance

- 1 - 5 mm
- S - Specify

⑥: Connector Type

- 1 - FC/UPC
- 2 - FC/APC
- 3 - SC/UPC
- 4 - SC/APC
- 5 - LC/UPC
- 6 - ST/UPC
- N - None
- S - Specify

⑦: Fiber Type

- B - 250um bare fiber
- L - 900um loose tube
- T - 900um tight buffer fiber(only for single fiber)
- S - Specify

⑧ : Fiber Length

- C - 1.75m
- S - Specify

⑨: Lens Type

- G - Grin lens
- C - C lens